



Eye Gaze Essentials

Quick start guide



Eye Gaze Essentials - Quick start guide (Version 1.0)
English (UK)

Copyright 2019 Smartbox Assistive Technology

For support, video tutorials, webinars and further information visit us at
thinksmartbox.com

Welcome

The Smartbox Eye Gaze Essentials pack is designed to help you get started with eye gaze at home, in school or at work.



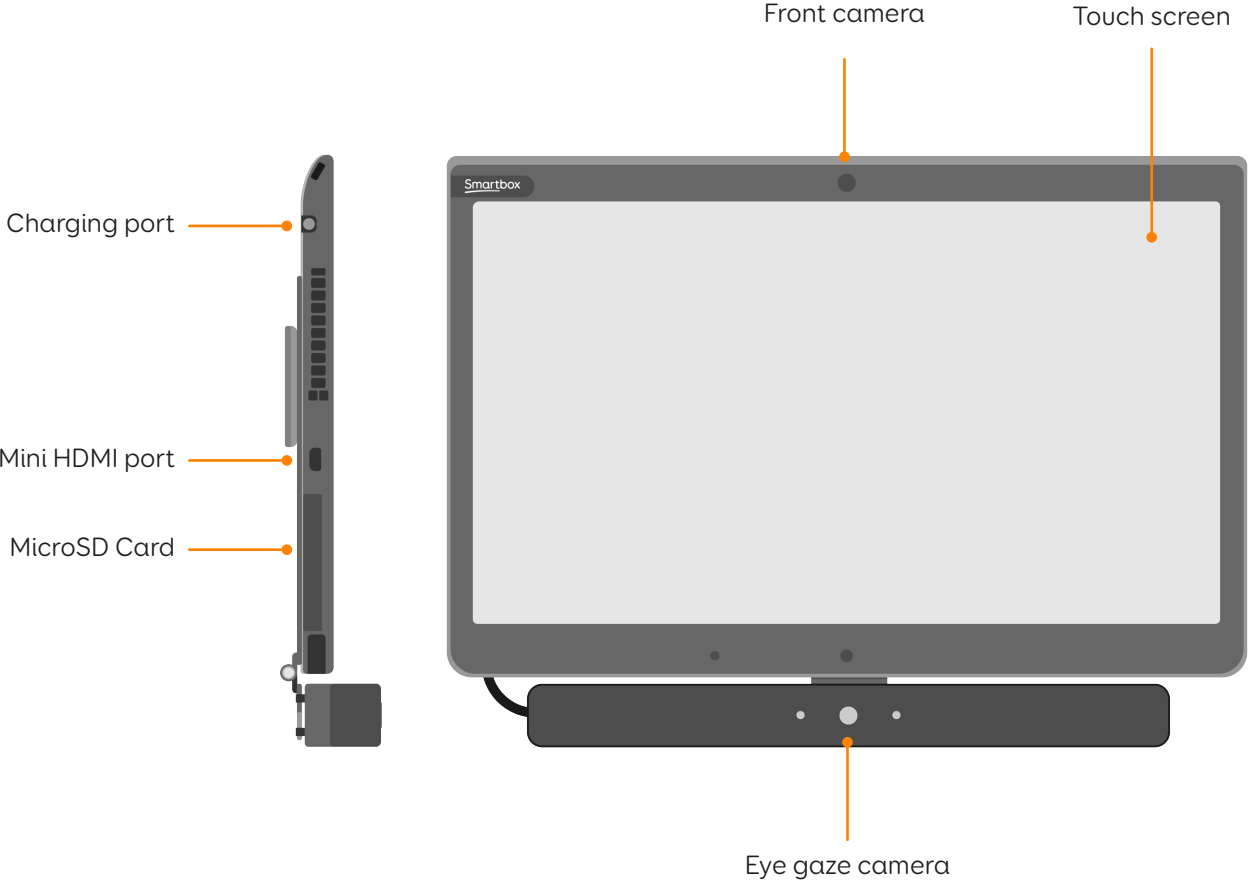
What is in the box?

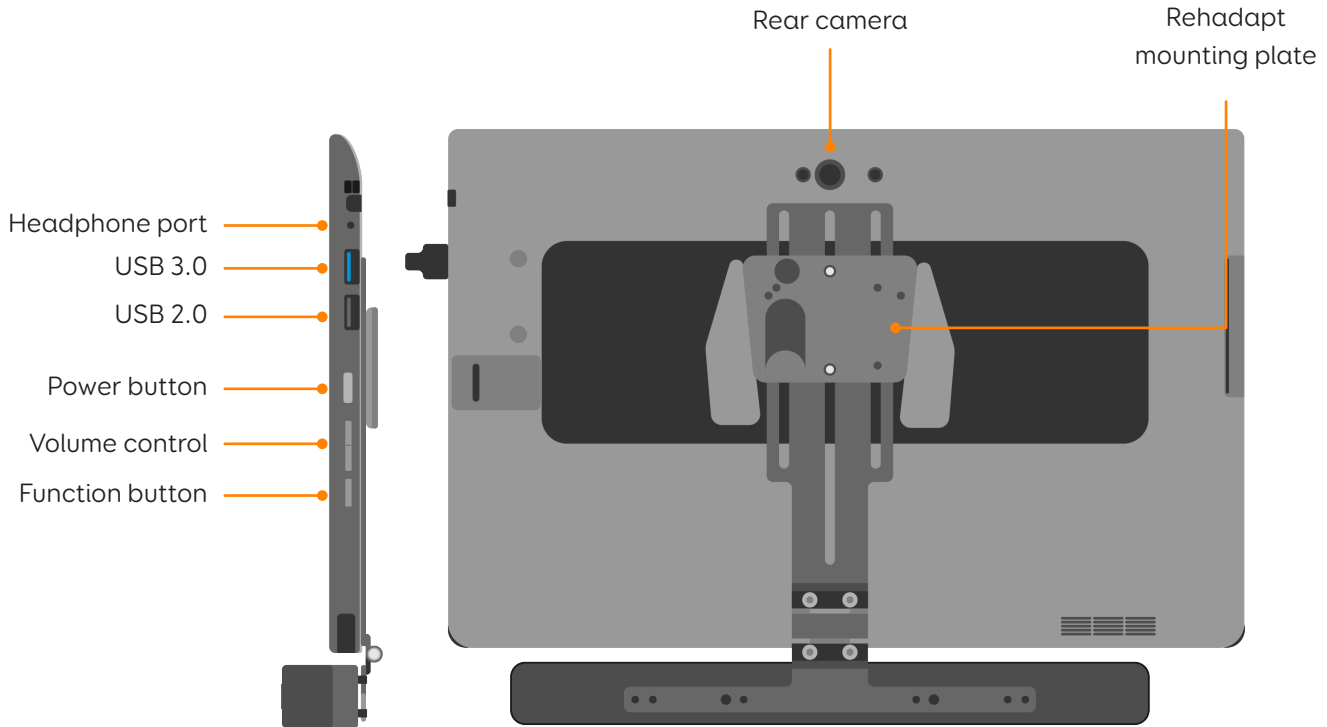
- Smartbox eye gaze tablet
- Power lead
- Eye gaze camera
- USB 2.0 cable
- Rehadapt mounting plate
- Port labels
- Grid 3 training pack

Software



Eye gaze tablet guide



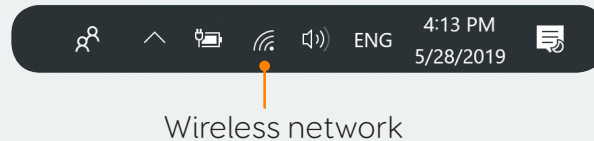


Tip: Use the Function button to quickly access tablet settings.

Getting started with Grid

Turn on the eye gaze tablet which will load into Windows. Grid 3 will then start automatically. You will then be able to start creating your user profile.

Tip: Before you start setup, you might want to connect your device to your Wi fi network, this allows you to get the latest updates for Grid as well as access all the Smartbox online services. Tap the network icon in the Taskbar to connect to a wireless network.



Creating your user

Follow the instructions on screen to create your user. Starting with choosing your user name, picture and voice (you can even adjust the voices pitch and speed to make it unique to you).

As part of the user setup you can create a Smartbox Account which allows you many advanced features, connect Grid to Dropbox for backup and remote editing and most importantly, choose your starting grid sets.



Grid sets

You can choose which category of grids are added to your user as part of the user creation.

Symbol communication	Tools for communicating with symbols such as Super Core, WordPower, Vocabulary for Life and more. This grid sets are built with illustrative symbols that help identify words and built literacy skills.
Text communication	Fast and efficient keyboards with advanced features to make building sentences easier. Grid sets such as Text Talker and Fast Talker are designed for those who already have literacy skills.
Interactive learning	Fun activities with engaging animations designed to help build access skills and prompt communication.
Accessible Apps	Grid sets that give you access to the web, social media and more.
Computer control	Grid sets can also be added to access Windows computer applications using eye gaze.

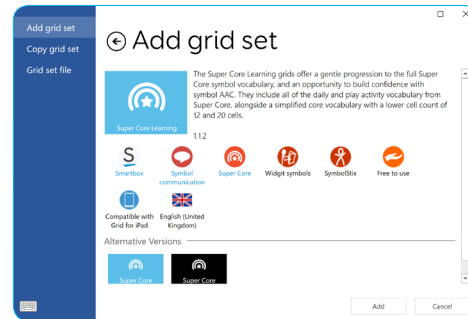
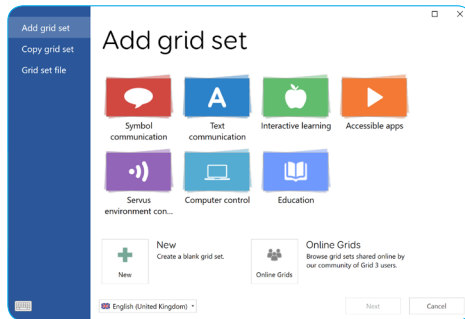
Once you have created a user profile, you will be presented with Grid Explorer, where you can start using grid sets.

Adding more grid sets

From your Grid Explorer you can add more grid sets. Choose from the wide selection of Smartbox grid sets, from Online Grids (where users, professionals and teachers can share their own creations) or simply add a blank grid set, ready for you to create your own tools and resources with Grid's editing tools.

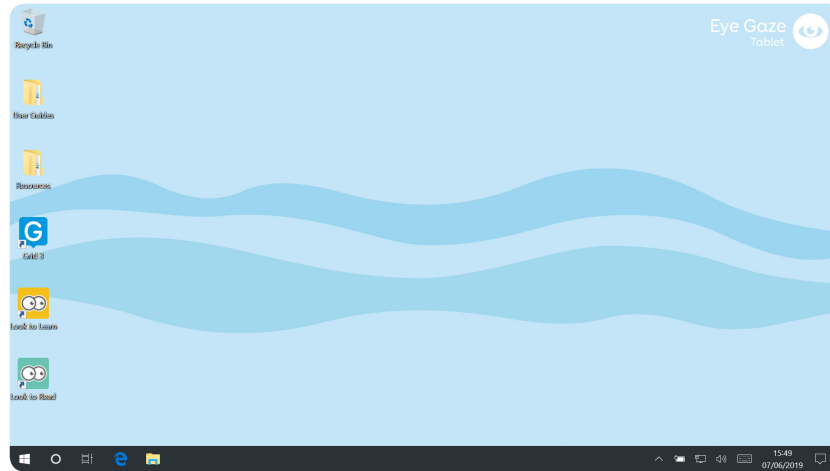
Add a Smartbox grid

Go to the menu then select Add Grid set. You will see a list of categories including Symbol communication, Text communication and more. Select a category and tap Next.



You will then see a list of grid sets. Some grids may be in folders which means there are alternate versions available, for example Super Core has both 50 and 30 cell versions, as well as Learning grids. Tap next once you have selected a grid set, and then Add.

What is on your desktop?



User guides

A collection of guides and manuals to help you with your software and grid sets.

Resources

Printable PDFs to make paper-based resources and workbooks to use alongside your eye gaze tablet.

Look to Learn

With over 60 activities Look to Learn and Scenes & Sounds provide a motivating and fun way to get started with eye gaze.

Getting started with Look to Learn

Double click on the Look to Learn icon on the desktop to start.

Both Look to Learn and Scenes and Sounds are available with over 60 activities between them! In Look to Learn you can choose from Sensory, Explore, Target, Choose and Control. Scenes and Sounds offers Scenes, Sounds and Skills



Tip: You can start Look to Learn directly from Grid 3 by adding the Look to Learn - Computer Control grid set from Online Grids.

Look to Read

Look to Read enables children with disabilities to experience and enjoy books independently. There are 16 interactive stories with four stages of progression. Alongside each story are resources and activities that help consolidate learning and encourage conversation.

Getting started with Look to Read

Double click on the Look to Read icon on the desktop to start.

Choose your stage, then which story you would like to read! Highlight the words to read them aloud and once a sentence is completed the animation will play.



Tip: You can start Look to Read directly from Grid 3 by adding the Look to Read - Computer Control grid set from Online Grids.

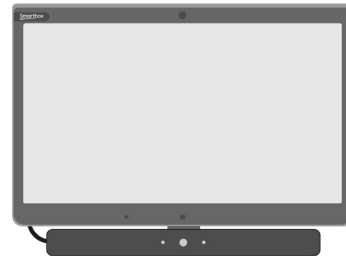
Eye gaze connection

The eye gaze camera supplied with your tablet should always be plugged into the USB 2.0 port. This is the lower of the two USB ports.

Tip: We have included a set of port labels that you can use on your device to ensure that you know where to attach your accessories and access devices.



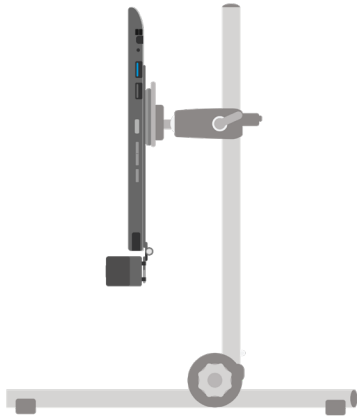
Tobii PCEye Mini



EyeTech TM5

Mounting

Your eye gaze tablet is designed to be mounted to a Rehadapt stand. When mounting, ensure the plate and mount is properly lined up and the plate and mount are firmly attached. For more information see your Rehadapt mounting documentation.



Tip: Positioning your eye gaze tablet is important. The device should be between 40cm and 75cm from your eyes. You can use the Grid 3 eye gaze monitor found in **Settings - Access - Eye gaze - Calibration** to help you make sure the camera has a clear view of your eyes.

Charging

Before you start using your device for the first time, it is recommended to plug in the power lead and charge the device.

Eye gaze tablet (EG13A) specification

Operating system	Windows 10 Pro
Software	Grid 3, Look to Learn, Look to Learn Scenes and Sounds and Look to Read
Processor	Intel® Core™ i5-6200U Skylake processor, 3MB, 2.1GHz up to 2.7 GHz
Memory / RAM	8GB DDR3
Hard drive	SSD SATA III, 128GB
Display	13.3" Intel HD 1920 X 1080p
Eye gaze	EyeTech TM5 Mini PCEye Mini
Weight	EyeTech TM5 Mini: 1.5kg PCEye Mini: 1.36kg

Battery life	EyeTech TM5 Mini: 4 hours PCEye Mini: 3.5 hours
Tablet camera	2MP front, 5MP rear
Dimensions	EyeTech TM5 Mini: 316 x 243 x 50 mm PCEye Mini: 316 x 234 x 35 mm
Connectivity	Dual band Wireless (AC 8265), Bluetooth 4.2 LE
Mounting plate	Rehadapt

Smartbox support

Online support

The Smartbox team is here to help. You can get in touch over email, phone (9am - 5pm UK time) or use our online chat box.

thinksmartbox.com/smart-support

Knowledge base

Our Smartbox Knowledge base is full of tips, guides and troubleshooting tools.

thinksmartbox.com/knowledge-base

Facebook community

Our Facebook Community is a great way to get in touch and keep up with the latest news. This group of Smartbox users is growing everyday and is the perfect place to ask for advice, share ideas and find inspiration.

thinksmartbox.com/facebook

Warranty

Eye Gaze Essentials is covered by a standard warranty of 2 years from the date of purchase.

Repairs

Please do not attempt to dismantle your Eye Gaze Tablet or its accessories as it may invalidate your warranty. To organise a repair please contact our team.

repairs@thinksmartbox.com

Safety

Application

The Eye Gaze Essentials is not to be used as a life supporting device.

The Eye Gaze Essentials is not to be relied upon for well-being.

The Eye Gaze Essentials is not to be relied upon as the user's only way of making an emergency call or alarm.

The Eye Gaze Essentials should not be used to administer medicine.

Power Supply and Batteries

Your Eye Gaze Essentials contains a rechargeable lithium ion battery. All rechargeable batteries degrade over time. The usage time for the Eye Gaze Tablet after a full

charge can become shorter over time.

For optimal performance your Eye Gaze Essentials should not be charged at extreme temperatures of below 0°C or above 45°C. At these temperatures your battery will charge slowly or not at all.

Do not expose your Eye Gaze Essentials to fire or temperatures above 90°C as these conditions can cause the battery to malfunction, ignite or explode.

Only charge your Eye Gaze Essentials with the supplied power lead. Using unofficial power supplies may cause severe damage to your Eye Gaze Essentials and cause fire. If your Eye Gaze Essentials power lead is lost or damaged, contact our support team.

When your Eye Gaze Essentials battery is depleted, and the device is not connected to a power source, the device will automatically shut down to avoid damaging the battery and

hardware.

The operating system will attempt to do this as safely as possible, however it is recommended to attach the power lead before your Eye Gaze Essentials shuts down. The battery that powers your Eye Gaze Essentials is subject to shipping regulations. Check with your postal service or courier before shipping to ensure safe delivery of your device.

Do not place the device to the place where power adaptor plug is hard to be disconnected from socket.

Do not replace the battery. Return to Smartbox to service battery.

Transporting your Eye Gaze Essentials

When traveling, ensure your Eye Gaze Essentials is sufficiently protected from knocks and bumps.

There are strict regulations for lithium ion batteries on airplanes. Different airlines have differing rules, so it is recommended to contact your airline before you travel. More information can be found here: caa.co.uk/passengers/before-you-fly/baggage/items-that-are-allowed-in-baggage

Temperature

Do not block the vents.

Ensure that your device is shut down before storing or placing into a bag.

If used in hot temperatures or direct sunlight, your Eye Gaze Essentials may reach temperatures that can trigger an automatic shutdown. This is a safety feature to prevent lasting damage to the device. If this occurs, please wait until your device has cooled before restarting.

Mounting

When mounting the Eye Gaze Essentials, follow the instructions for both your Eye Gaze Essentials and the mounting system manufacturer's instruction. While we have taken every precaution to make this an easy and safe process, it is up to you to ensure the device is mounted safely.

Please use the Rehadapt mounting solution provided. Ensure the mounting system you select is correct for the application and perform a risk analysis if required.

Other Safety

If damaged, small parts may detach from your Eye Gaze Essentials. These can present a choking hazard.

Young children and people with cognitive disabilities should be supervised when using the device.

Packaging can present a choking hazard. Young children and people with cognitive disabilities should be supervised when unpacking the device.

Eye Gaze Essentials is not sterile. Do not operate with open wounds, or whilst undergoing invasive medical treatments.

Eye Gaze Essentials is supplied with a power cable and can be used with cabled accessories. These can present a strangulation hazard.

Young children and people with cognitive disabilities should be supervised when using the device.

Epilepsy warning

Some people with photosensitive epilepsy are susceptible to seizures when exposed to certain lights or light patterns. If you feel odd

or nauseous when in front of your Eye Gaze Essentials, particularly if you are using it with an eye gaze camera, move away from the device and consult a medical professional.

Eye gaze safety

Prolonged use of an eye tracking device may strain eye muscles. Take frequent breaks and rest if eye fatigue is noticed.

Disposing of the Eye Gaze Tablet

Do not dispose of in general household or office waste. Your Eye Gaze Essentials should be disposed of in accordance with local regulations for the disposal of electrical and electronic equipment.

Repairs & Maintenance

Your Eye Gaze Essentials is not a user serviceable device. If your device requires a repair, please contact your local

Smartbox dealer. For more information visit thinksmartbox.com

EMC & Harsh Environments

When the device is working with other equipment, there may be inference between device and connecting equipment.

- The Eye Gaze Essentials should not be used in a military environment.
- The Eye Gaze Essentials should not be used in a harsh RF environment.
- The Eye Gaze Essentials should not be used in an MRI environment.
- The Eye Gaze Essentials should not be used in an X-ray environment.

Troubleshooting and Customer Support

In most cases, restarting your device will cure any problems. To restart your device, Select **Start** and then select **Power - Shut down**. Or if your device has crashed, hold down the power

button for 5+ seconds to hard shutdown. Press it again to turn it back on.

If this does not fix the problem, contact support at thinksmartbox.com/smart-support. Please have your serial number ready. This can be found under the stand on your device.

Statements

Fujitsu Stylistic Q736 / Q737
Product Type: Tablet Computer

EU / CE Statement

This equipment complies with the requirements of the legislation; Radio Equipment and Telecommunications Terminal Equipment Directive (1999/5/EC), European Ecodesign Directive (2009/125/EC), Restriction of Hazardous Substances (2011/65/EU).

FCC – for use in USA
Complies with Part 15.b

USA - Contains FCC ID: EJE-WB0097

IC - for use in Canada

This Class B digital apparatus complies with Canadian ICES-003.
Contains IC: 337J-WB0097

Tobii PC Eye Mini

Product Type: Eye Tracking System

EU / CE Statement

This equipment complies with the requirements of the legislation; Medical Devices Directive (93/42/EEC MDD) Restriction of Hazardous Substances (2011/65/EU), Electromagnetic Compatibility Directive (2004/108/EMC).

FCC – for use in USA
Complies with Part 15

IC - for use in Canada

This Class B digital apparatus complies with Canadian ICES-003.

EyeTech TM5 Mini

Product Type: Eye Tracking System

Statement

This equipment complies with the requirements of the legislation; Council EMC Directive (2004/108/EEC), Restriction of Hazardous Substances (2002/95/EC)

FCC - for use in USA

Complies with Part 15.b

USA - Contains FCC ID: 2AJSMIRISBD30

IC - for use in Canada

This Class B digital apparatus complies with Canadian ICES-003.

Contains IC: 21915IRISBD30



Eye Gaze
Essentials

Smartbox

thinksmartbox.com

EGE-MAN-UK-A